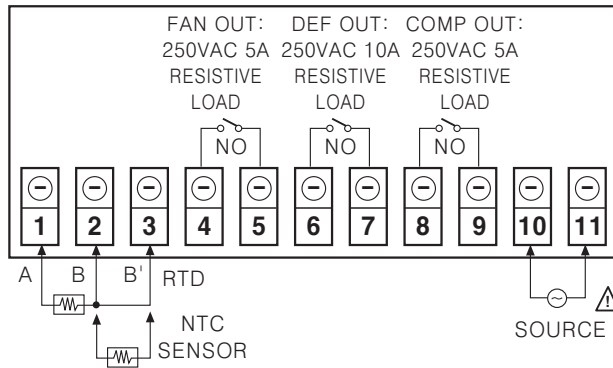


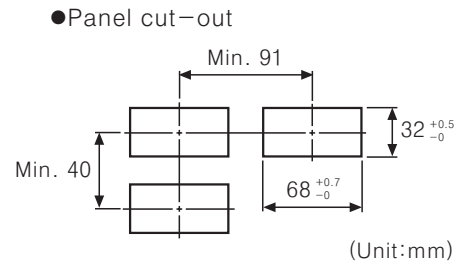
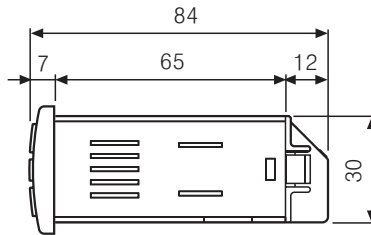
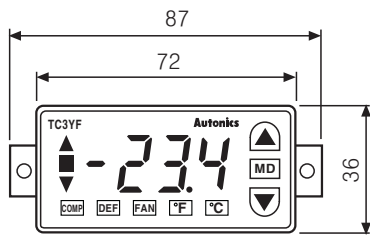


# TC3YF

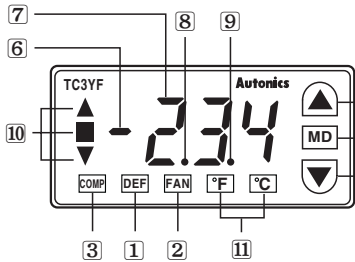
## Connections



## Dimensions



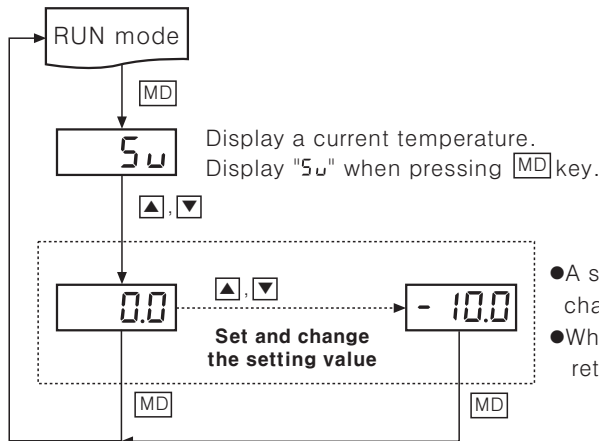
## Front panel identification



- ① DEF (Defrost output lamp) : Light is ON when defrost output is ON
- ② FAN (Evaporation-fan output lamp) : Light is ON when evaporation output is ON.
- ③ COMP (Compressor output lamp) : Light is ON when compressor output is ON.
- ④ MD (Mode key) : For entering, changing, shifting and saving parameters
- ⑤ ▼ ▲ (Setting key: Up/Down) : For changing parameters
- ⑥ - : Displaying minus symbol
- ⑦ Display process value) : Display a current value (SV) on RUN mode.  
Display a parameter and a setting value when setting parameter.
- ⑧ ● (Display a decimal point) : Display a decimal point when the time unit is 'Min'
- ⑨ ● (Display a decimal point) : Display a decimal point when the temperature unit is '°C'
- ⑩ ▲, ■, ▼ (Display a deviation) : "▲" indication turns on when PV is higher than SV, "▼" indication turns on when PV is lower than SV
- ⑪ °C, °F (Temperature unit) : Selectable °C or °F

※When delay time is applied, the output lamp of defrost output, evaporation-fan and compressor is ON simultaneously after the lamp flashes every one second.

## How to set and change setting value(5μ)



## Input specification and range

| Input specification | Setting temperature/Using range |            |
|---------------------|---------------------------------|------------|
|                     | °C                              | °F         |
| RTD (DPT 100Ω)      | -99.9 ~ 99.9                    | -148 ~ 212 |
| Thermistor          | -40.0 ~ 99.9                    | -40 ~ 212  |

※The setting range of temperature is fixed as using range.

- A setting value flashes every 0.5 sec, and it is available to change the value with ▲ or ▼ key.
- When pressing MD key, a setting value is saved and it returns to operation mode.

※If any key is untouched for 60sec, it returns to operation mode.

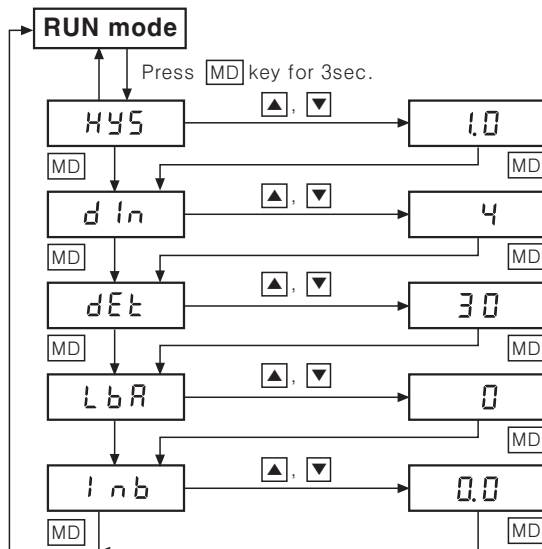
※When pressing MD key for displaying setting value, it returns to operation mode.

※When ▼ key at "0.0", minus values are enable to set.

※Press ▲ or ▼ key to set(change) the value continuously, number is increased(decreased) at high speed.

# Cooling/Defrost Temperature Controller

## Flow chart for setting group 1



Set a hysteresis of compressor output within 0.5°C~5.0°C or 2~50°F.

Set a defrosting period within 0~24 hours.  
\*If defrosting interval is set to 0, it is operated as a manual.

Set a defrosting period within 0~59 minutes.  
\*If defrosting interval is set to 0, it does not operated.

Set monitoring time for loop break alarm within 0~999sec.  
\*If monitoring time is set to 0, LBA does not operated.

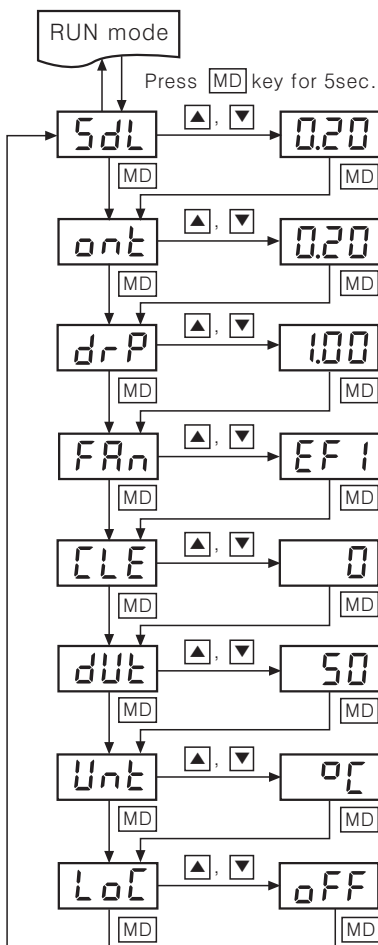
Correct an error generated in input sensor.  
The setting range is -10.0~10.0°C.

- \*In RUN mode, if MD key is pressed for 3 sec, it enters into setting group 1 and displays HYS.
- \*HYS parameter is displayed when entering into setting group 1.
- \*Press MD key during setting operation to save the changed setting value and display next parameter.
- \*Press MD key for 3 min during setting operation, it returns to RUN mode.

### Factory defaults

| Mode | Setting value | Mode | Setting value |
|------|---------------|------|---------------|
| HYS  | 1.0           | LbA  | 0             |
| dIn  | 4             | Inb  | 0.0           |
| dEt  | 30            |      |               |

## Flow chart for setting group 2



Set a start-up delay and re-operation time of compressor.  
The setting range is 0m10s~9m59s.

Set a minimum ON time to prevent frequent ON/OFF of compressor.  
The setting range is 0m10s~5m00s.

Set a delay time of defrost-end and evaporation-fan.  
The setting range is 0m00s~5m59s.

Set the evaporation-fan operation mode.  
EF1 ← EF2 ← EF3 ← EF4 ← EF5

Set operation interval of compressor in error.  
The setting range is 0~20ms.

Set the ON operation ratio(%) of compressor within operation interval in error.  
The setting range is 0~100%.

Set a temperature unit.

0C ← 0F

Set a lock mode.

oFF ← LC.1 ← LC.2 ← LC.3

### Factory defaults

| Mode | Setting value | Mode | Setting value |
|------|---------------|------|---------------|
| SdL  | 0.20          | CLt  | 0             |
| onT  | 0.20          | dUt  | 50            |
| drP  | 1.00          | UnT  | °C            |
| FRn  | EF1           | LoC  | oFF           |

|      |  |
|------|--|
| oFF  | Lock off   |
| LC.2 | Setting group 1, Setting group 2 Lock                |
| LC.1 | Setting group 2 Lock                                 |
| LC.3 | Setting group 1, Setting group 2, Set value(SV) Lock |

- \*In RUN mode, if MD key is pressed for 5 sec, it enters into setting group 2 and displays SdL.
- \*SdL parameter is displayed when entering into setting group 2.
- \*Press MD key during setting operation to save the changed setting value and display next parameter.
- \*Press MD key for 3 sec during setting operation, it returns to RUN mode.

(A) Counter

(B) Timer

(C) Temp. controller

(D) Power controller

(E) Panel meter

(F) Tacho/Speed/Pulse meter

(G) Display unit

(H) Sensor controller

(I) Switching power supply

(J) Proximity sensor

(K) Photo electric sensor

(L) Pressure sensor

(M) Rotary encoder

(N) Stepping motor & Driver & Controller

(O) Graphic panel

(P) Production stoppage models & replacement

## Function and operation

### ● Hysteresis [HY5]

- It executes ON/OFF control and controls compressor output.
- The compressor can be damaged by frequent ON/OFF cycle at setting value. Therefore it can establish Hysteresis between activation temperature and deactivation temperature to prevent the compressor.
- EX) If TC3YF is established as setting temperature (SV) as  $-20^{\circ}\text{C}$ , hysteresis (HY5) as 1.0, the compressor output is ON when it is reached  $-19^{\circ}\text{C}$  and it is OFF when it is reached  $-21^{\circ}\text{C}$ .
- ※ In ON/OFF control, the temperature is lower than SV, the output is OFF and it is ON when it is higher and it is also designated as dual position control.
- ※ The setting range of hysteresis is  $0.5\sim 10.0^{\circ}\text{C}$  ( $2\sim 50^{\circ}\text{F}$ ).

### ● Input correction [INB]

It corrects an error generated by temperature sensor inputted from external.

Ex) When room temperature is  $-18^{\circ}\text{C}$ , the display temperature of temperature controller is  $-20^{\circ}\text{C}$ , set the input correction (INB) value as 2.0, it is corrected as  $-18^{\circ}\text{C}$ .

- ※ The setting range of input correction is  $-10.0^{\circ}\text{C}\sim 10.0^{\circ}\text{C}$ . ( $-18\sim 18^{\circ}\text{F}$ )

### ● Defrost

When compressor is operated for a long time, the efficiency is lowered by the frost evaporator and freezer built in. A defrost designates to remove frost and ice around the evaporator.

#### ● Heating defrost (Auto defrost)

Mount a heater next to an evaporator and operate it with defrost interval [dIn] and time [dEt] of temperature controller, removing frost and ice.

#### ● Manual defrost

When pressing ▲ key is pressed for 3 sec, the defrosting is activated for defrost time [dEt] during the compressor operation.

The prior defrost interval value is not deleted.

- ※ When pressing ▲ key for 3 sec, it returns to auto defrost. (The defrost interval starts again from defrost output is OFF.)

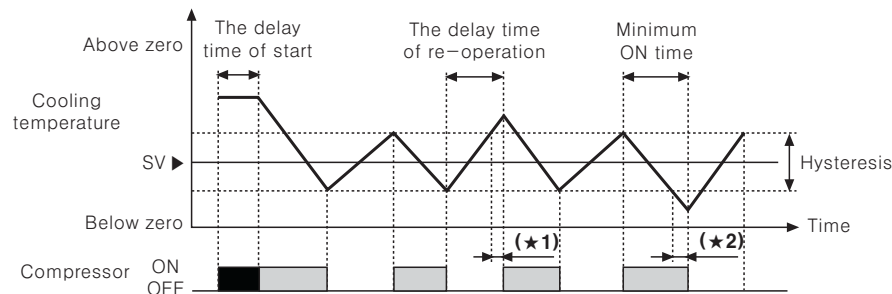
- ※ When defrost interval is set to "0.0", it is only operated as manual defrost.

- ※ When it used as manual defrost, compressor output and evaporation-fan output are OFF when the defrost output is ON.

- ※ The setting range of defrost interval [dIn] is 0~24 hours and defrost time [dEt] is 0~59 min.

### ● Cooling (Compressor) operation

Temperature control : Keep the setting temperature by repeating ON/OFF operation in the range of hysteresis.



- ※ ■ : The output is not operated, only the front COMP lamp is flashing.

### ● The delay time of start-up and re-operation [5dL]

1) Delay of start-up : When applying the power again on a compressor after power is failed, the compressor will be overloaded. In this case, delay of start-up prevents curtailing of the life cycle of a compressor. The setting range is 0m10s~9m59s.

- ※ The output lamp is ON simultaneously after the lamp flashes every one second during delay time.

2) Delay of re-operation : It does not operate within delay time of re-operation after compressor turned OFF to prevent frequent ON/OFF. The setting range is 0m10s~9m59s.

- ※ (★1) For delay time of start-up, compressor output is OFF even when PV is lower than SV. It is turned ON after delay time of re-operation is over.

#### ● Minimum ON time [oNt]

Set a minimum ON time to prevent frequent ON/OFF. The setting range is 0m10s~5m00s.

- ※ (★2) Compressor output is ON even when PV is lower than hysteresis. It is turned to OFF after the minimum ON time is over.



## ◎Operation cycle [ **CL E** ] / ON duty ratio of compressor in error [ **dU t** ]

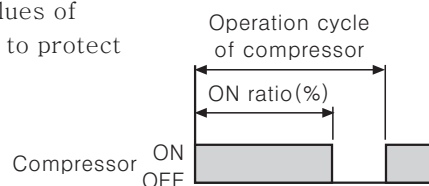
When an error occurs, repeats ON/OFF operation based on setting values of operation cycle (**CL E**) and ON duty ratio (**dU t**) of second setting group to protect the inside of the compressor. This is repeated until error is removed.

※ The setting range of operation cycle : 0~20 min,

The setting range of ON duty ratio : 0~100%

※ When operation cycle of compressor is "0", it keeps OFF status in error. The ON duty ratio (**dU t**) is not displayed in error.

※ The duty ratio of compressor ON is "100", it keeps ON status in error.



## ◎Alarming of loop disconnection(LBA : Loop Break Alarm)

When the cooling temperature is not changed over 1.0°C (2°F) during monitoring time set at loop break alarm (**Lb A**) parameter, it is regarded as abnormal operation. It displays **Err** and **Lb A** every 0.5sec and the compressor output repeats ON/OFF by the operation cycle (**CL E**) and ON duty ratio (**dU t**) setting in error.

When pressing **[MD]** key simultaneously for 3sec, after checking the compressor, it operates normally with cancelling the error. LBA function does not operated when LBA value is at "0".

(LBA setting range : 0~999sec)

## ◎Set the Lock [ **L o C** ]

Limit the change of SV and parameter.

**o F F** : Lock off

**L C . 1** : Lock the ssetting group 2

**L C . 2** : Lock the setting group 1 and 2

**L C . 3** : Lock the setting group 1, 2 and setting value

## ■Proper usage

1. Please beware not to exceed the rated specification of relay when using relay contact or it may cause a fire with breakdown.
2. Please mount a surge absorption device at coil when controlling high-capacity power relay or a magnet, the counter electromotive force can be flowed into the inside of the device for relay contact operation.
3. Please install a power switch or circuit breaker in order to cut of power supply.
4. The switch or a circuit breaker should be installed near by user for easy operation.
5. Do not use this temperature controller as a Volt-meter or Ampere-meter.
6. In case of using RTD sensor, please connect as 3-wire type and use 3 same thickness of lines when you need to extend. It might cause the deviation of temperature if the resistance of line is different.
7. Please check the polarity and connect correctly when connecting RTD sensor to temperature controller. NTC sensor is a non-polarity.
8. In case of making power line and input signal line close, line filter for noise protection should be installed at power line and input signal line should be shielded.  
(Note) Please make sensor line shortly and use it because the narrow range of input correction range.
9. Keep away from the high frequency instruments. (High frequency welding machine & sewing machine, high-capacity SCR controller etc.)
10. Please use AWG No. 12~28 for power input and relay output connection, fasten the terminal block as a torque 0.3Nm.
11. Installation environment
  - ①It shall be used indoor
  - ②Pollution Degree 2
  - ③Altitude Max. 2000m
  - ④Installation Category II